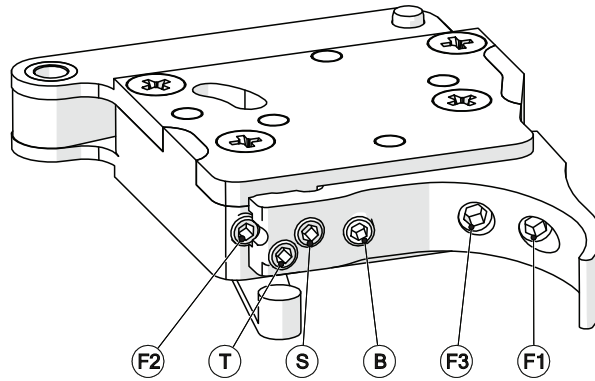




Bix'n Andy Balltrigger for Remington, Mod. Marksman



The Remington "Marksman" Balltrigger is a completely adjustable two-stage trigger, that can also be used as a single-stage trigger. The following manual will explain how to adjust the trigger.

Set-screw B:

This screw is used to set the trigger either as single-stage or two-stage trigger.

- Single-stage trigger: turn the screw completely in (CW) with very light torque.
- Two-stage trigger: turn the screw out (CCW) until it is flush with the trigger shoe.

Travel for first stage (only when used as two-stage trigger):

With screw T the travel from the initial position to the beginning of the second stage can be adjusted:

- Turn the screw in (CW) to decrease the travel.
- Turn the screw out (CCW) to increase the travel.

First-stage pull force (only when used as two-stage trigger):

With screw F1 the pull force of the first stage can be adjusted:

- Turn the screw in (CW) to increase the pull force.
- Turn the screw out (CCW) to decrease the pull force.

Second-stage pull force

With screw F2 the pull force of the second stage can be adjusted. With certain configurations you may have another spring located under screw F3 to further increase the pull weight. This spring can be removed.

- Turn the screw in (CW) to increase the pull force.
- Turn the screw out (CCW) to decrease the pull force.

Sear engagement:

The sear engagement sets the overlapping of the sears within the trigger. When setting the sear engagement, the most important goal is to ensure safe operation of the trigger. The sear engagement can be adjusted by using screw S. The sear engagement is set correctly at the factory and should only be changed by professionals. Insufficient sear engagement is dangerous!

- Turn the screw in (CW) to increase the sear engagement.
- Turn the screw out (CCW) to decrease the sear engagement .

Mailing Address

1102 Page Drive South, Fargo ND 58103

Contact Number

+1 (701) 371 4444

Connect with us on Facebook

www.facebook.com/BulletCentral

